



**SRT5431**

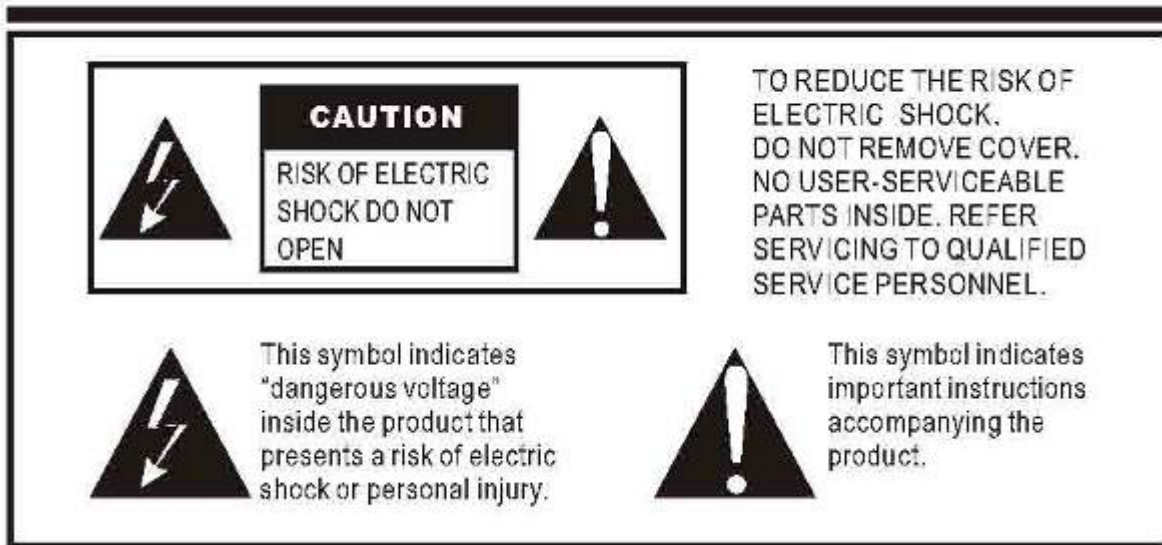
**User Manual**



# Table of contents

IMPORTANT SAFETY INSTRUCTIONS .....	2
1 INTRODUCTION .....	1
2 MAIN FUNCTIONS AND FEATURES .....	1
3 THE REMOTE CONTROL.....	2
4 FRONT AND REAR PANEL .....	4
4.1 REAR PANEL.....	4
4.2 FRONT PANEL .....	4
5 INSTALLATION .....	5
5.1 CONNECTING THE RECEIVER .....	5
5.2 INSTALLATION GUIDE .....	6
6 MENU .....	6
MAIN MENU.....	6
7.1 INFO. KEY .....	10
7.2 LANG KEY .....	10
7.3 SUB KEY .....	11
7.4 PREV/NEXT KEY & F.R./F.F. KEY .....	11
7.5 ZOOM.....	11
7.7 EPG .....	12
7.8 TV CHANNEL AND RADIO CHANNEL LIST .....	12
7.9 FAVOURITE CHANNEL .....	12
7.10 DVR FUNCTION .....	13
1) INSTANT RECORDING .....	13
2) ELECTRONIC PROGRAM GUIDE TIMER RECORDING .....	14
3) TIMESHIFT .....	15
4) PLAYBACK OF A RECORDED PROGRAM.....	16
5) MULTIMEDIA PLAYER .....	16
6) FORMAT PORTABLE HARD DISK.....	16
8. TROUBLESHOOTING .....	17
9. SPECIFICATIONS.....	18

## IMPORTANT SAFETY INSTRUCTIONS



To reduce the risk of fire and electric shock, do not expose this unit to rain or moisture. Please carefully read these precautions and instructions before operating this unit. Keep the manual for future reference.

### Power Cord Protection

To avoid any malfunctions of the unit and to protect against electric shock, fire or personal injury, please observe the following:

- Hold the plug firmly when connecting or disconnecting the AC power cord.
- Keep the AC power cord away from heating appliances.
- Never put any heavy object on the AC power cord.
- Do not attempt to repair or reconstruct the AC power cord in any way.
- Never make or change connections with the power switched on.

## IMPORTANT SAFETY INSTRUCTIONS

- The ventilation should not be impeded by covering the ventilation openings with items, such as newspapers, table-cloths, curtains, etc.;
- No naked flame sources, such as lit candles, should be placed on the apparatus;
- Attention should be drawn to the environment aspects of battery disposal. Don't throw used batteries in the rubbish. Please contact your retailer in order to protect the environment.
- Don't use the apparatus in tropical climates;
- The apparatus shall not be exposed to dripping or splashing and that no objects filled with liquids, such as vases, shall be placed on the apparatus.
- Where the mains plug is used as the disconnect device, the disconnect device shall remain readily operable. The main plug shall remain readily operable.
- Keep minimum distances (5 cm) around the receiver for sufficient ventilation. (Minimum distance around the apparatus for sufficient ventilation.)
- If the electric cable is damaged, it must be replaced by the manufacturer, or by a qualified person, in order to avoid a danger.

# 1 INTRODUCTION

This user manual is intended to guide you through the operation for the **SRT 5431** DVB-T FTA High Definition Digital Terrestrial Receiver.

**A password will be required when modifying advanced options in the Menu. The default password is “000000”.**

## 2 MAIN FUNCTIONS AND FEATURES

This product is a high performance HDTV Terrestrial receiver. It fully complies with DVB-T FTA receiver requirement specifications. It provides users with all digital terrestrial TV and radio signals being broadcast in Standard Definition and High Definition.

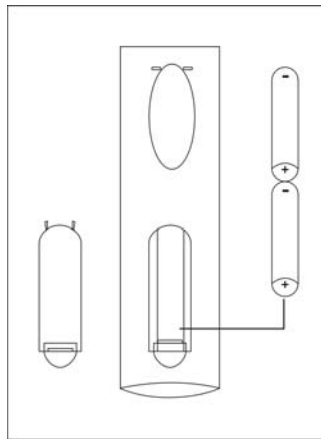
1. Fully compatible with DVB-T FTA digital standard
2. Fully compatible with MPEG-4 H.264/AVC High Definition Digital TV
3. Fully compatible with MPEG-2 High Definition and Standard Definition Output
4. Fully compatible with MPEG-1 Layer I & II,
5. VHF & UHF Input and LOOP OUT
6. Multi-bilingual OSD language , audio language and subtitle language supported
7. 400 Channel capacity
8. On Screen Electronic Program Guide (EPG)
9. Supports Picture in Graphics(PIG)
10. Supports Auto search and Manual search
11. Parental control for channels
12. Plug and Play installation with an easy to use Menu System
13. Supports 576i, 576P, 720P, 1080i Video Resolution.
14. Supports 4:3 and 16:9 Aspect Ratio
15. Various channel editing function(Favorites, Move, Lock, Delete)
16. Supports HDMI High Definition Multimedia Interface(HDMI 1.2)
17. Software upgrade via USB2.0 port compatible
18. USB 2.0 port compatible DVR and Media Player
19. Record digital television FTA program to a USB Flash Drive or an external USB portable hard disk and playback via USB2.0 compatible.

### 3 THE REMOTE CONTROL

Photograph	Key	Function
	MUTE	Disable Audio output
	POWER	Power on/off the STB
	0.....9	0-9 numeric buttons, for input of numbers or for selecting a TV channel
	MEDIA	Enter the multimedia menu.
	GOTO	GOTO select the track/time for multimedia playing
	V.MODE	Change the video resolution output
	RECALL	Recall last channel while watching digital TV or listening to radio.
	TV/RADIO	Press TV/Radio key to switch between TV program and Radio program.
	VOL+/VOL-	Increase or decrease the audio output volume
	CH+/CH-	Select next/previous channel
	RED	Function key in menus.
	GREEN	Function key in menus.
	YELLOW	Function key in menus.
	BLUE	Function key in menus.
	MENU	Display menu, press again to exit current menu
	EXIT	Back to previous menu without saving
	INFO.	Press INFO. Key to display the information banner while watching program.
	EPG	Press EPG key to display 7 days EPG information.
	UP/DOWN	Move selection up/down within menus and lists
	LEFT/RIGHT	While watching a channel, the LEFT/RIGHT buttons increases or decreases the audio output volume. Within a menu, press the LEFT button to return to previous menu and the RIGHT button to enter a sub-menu.
	OK	Call up a program list for the current channel while watching digital TV or listening to the radio. In a menu, this button serves to confirm a selection.
	PREV/NEXT	Page up/down in lists, and Previous/Next track
	FAV	Display favorites channel
	REC	Press REC key to record the current program while watching TV program
	STOP	Press STOP key to stop recording program or stop a program during playback
	PLAY/PAUSE	Play or pause the program during playback
	DVR	Go to the Recorded File List
	F.R./F.F	Press these keys to fast forward or rewind during playback
	SUBTITLE	Switch between different subtitles.
	LANG	Press LANG key to set the audio track and audio mode.
	Page UP/ Page Down	Turn to previous/next page of all TV list
	TIMESHIFT	Into the TIMESHIFT state, press  key to enter the TIMESHIFT suspended state; Press  button to enter TIMESHIFT playback state; Press  button to exit the TIMESHIFT state; press info to see detailed information;[BG1]
ZOOM	Zoom in or zoom out the picture.	
SCAN	Auto scan of TV and radio channels.	

# Battery Installation

Insert the batteries while observing the correct (+) and (-) polarities as illustrated below:



## About the batteries

- If the remote control unit fails to work even when it is operated near the receiver, please replace the batteries.
- Use size UM-4 (AAA) batteries.

## Notes:

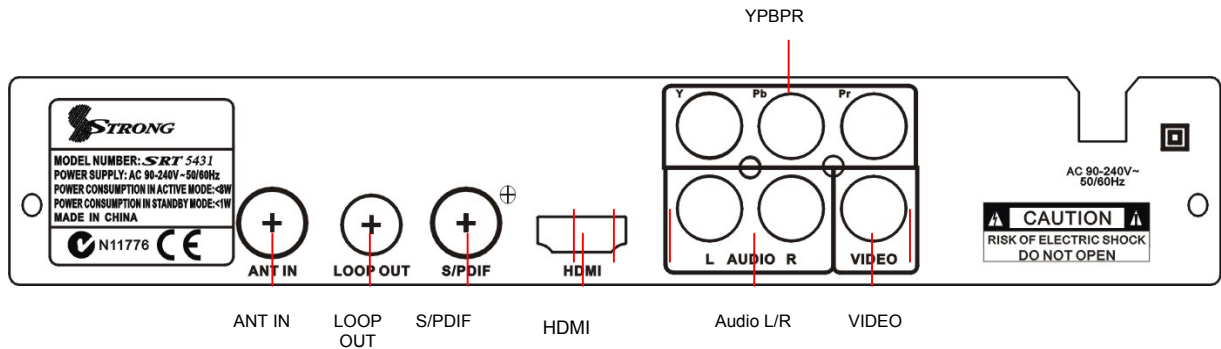
- Do not use rechargeable (Ni-Cd) batteries.
- Do not attempt to recharge, short circuit, disassemble or throw the batteries into the fire.
- Do not drop, step on or cause any impact to the remote control unit. This may damage it, resulting in malfunction.
- Do not mix old and new batteries.
- If the remote control unit is not going to be used for a long time, remove the batteries.

## Caution

Keep batteries out of children's reach. If batteries are swallowed, contact a physician immediately.

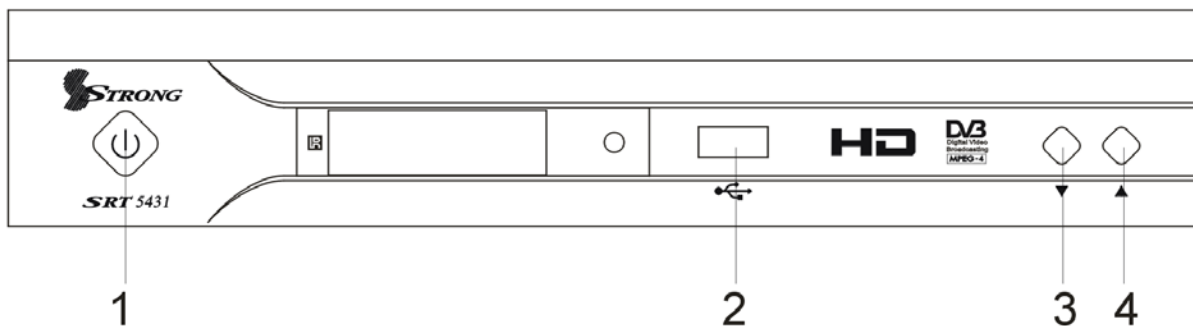
## 4 FRONT AND REAR PANEL

### 4.1 REAR PANEL



Rear Panel	
ANT IN	Digital Terrestrial TV Broadcast signal input
Loop OUT	Loop Out of antenna signal
S/PDIF	Digital audio output
HDMI	Digital HDTV video output with HDCP. HDMI version 1.2
YPbPr	High Definition Component video output
Audio L/R	Analog Audio output
VIDEO	Composite Video output

### 4.2 FRONT PANEL



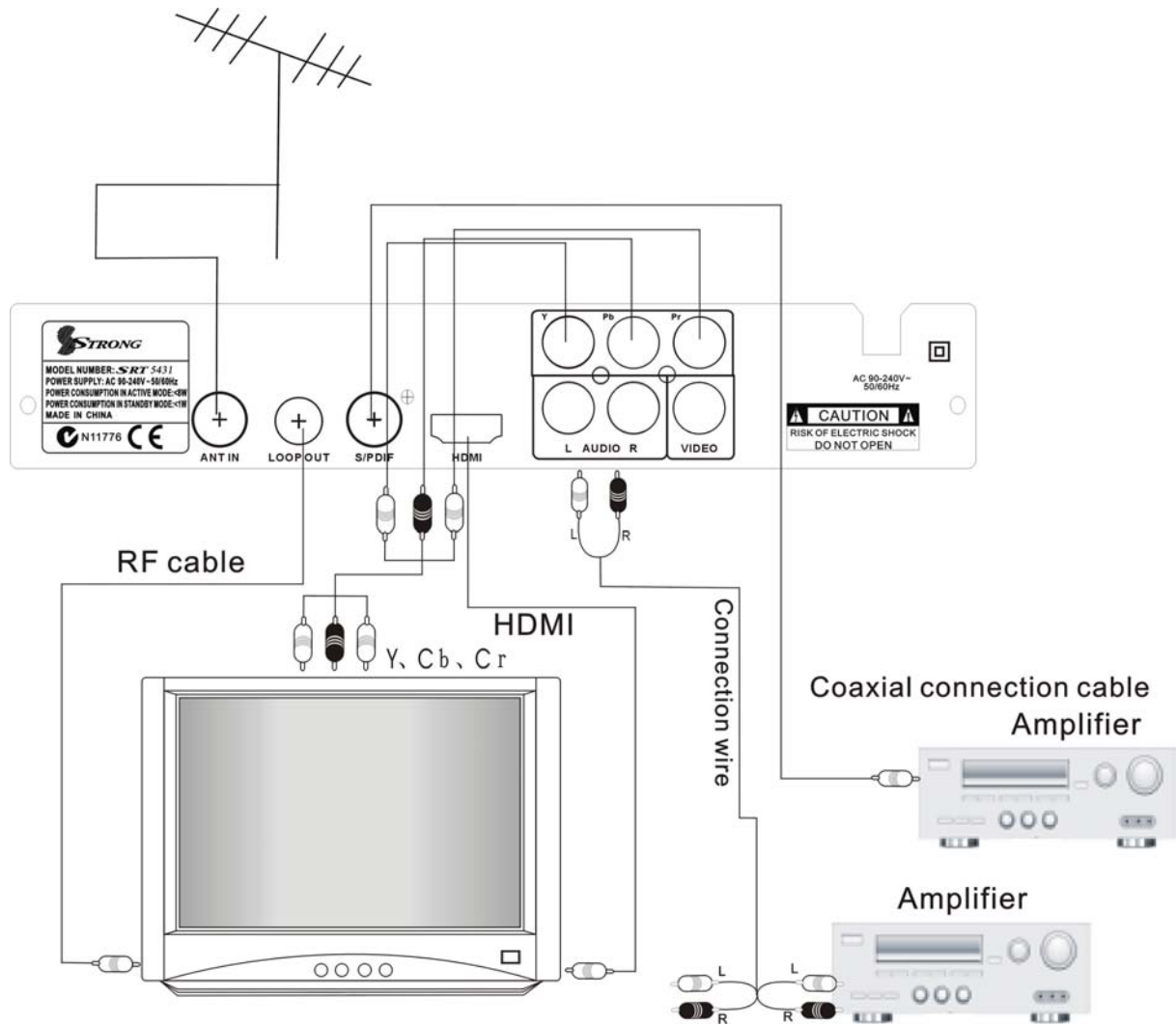
1. POWER
2. USB
3. CH-
4. CH+

# 5 INSTALLATION

## 5.1 CONNECTING THE RECEIVER

Before you connect your STB to your TV please ensure that it is placed on a flat and stable surface. Now that your STB is in position connect it to your TV and any other peripheral devices. Please refer to the below diagram and your TV's user manual for cable installation instructions.

Connect your STB to power, power on your TV and the STB before continuing to the initial set up guide.



## 5.2 INSTALLATION GUIDE

If you are using the unit for the first time or have restored the unit to Factory Default, the installation Guide Menu will appear on your TV screen. Follow the help information that at the bottom of the window to select preference menu language and suitable country (Region) and start channel search.



- (1) [OSD Language] Press RIGHT/LEFT key to select a language.
  - (2) [Country] Press RIGHT/LEFT key to select your country of residence.
  - (3) [Channel Search] Press RIGHT or OK key to begin Automatic channel search.
- If no channel is found during the channel searching process, please check your antenna connections and antenna are in working order. After the scanning process is completed the receiver will automatically save the scanned channels and display the first channel in the list.

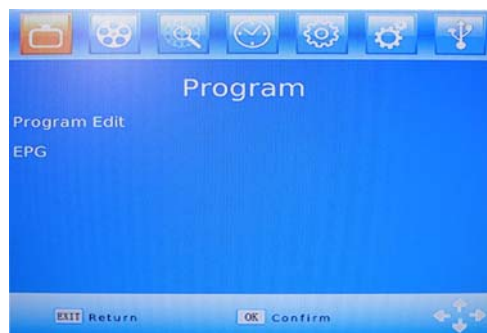
While you are using the unit, if you wish to perform an AUTO search, simply press the SCAN key on the remote control. Or you can access the CHANNEL SEARCH menu to do the AUTO/MANUAL channel search. Press MENU key on the remote and select [Channel Search] using RIGHT/LEFT keys.

This Menu provides options to adjust the Search Channel settings. Press UP/DOWN to select an option and press RIGHT/LEFT to adjust the settings. Press EXIT to exit the Menu.

## 6 MENU

### MAIN MENU

Most functions are available in main menu. Follow the operation help information on the bottom of the menu to modify the preference options. A password will be required when modifying advanced options in the Menu. The default password is "000000".



Press the MENU key on the remote control; you can access the Main MENU. There are 7 items for set up. Use the LEFT and RIGHT keys to navigate through the menu. Select the desired option and press the OK key or the RIGHT key to adjust the settings. Press the EXIT key to exit the main menu.

**a. Program Settings:**

You can edit the programs, check the TV Program Guide, sort the channels, and set the LCN here.

- 1) To edit your program preferences (to lock, skip, favourite, move or delete a program), you need to enter a password. Enter the default password "000000". The master unlock password is "888888".
- 2) The EPG is an on-screen TV guide that shows scheduled programs seven days in advance for every tuned channel. Press the EPG key on the Remote Control to access the Electronic Program Guide.
- 3) Sort

NOTE: It is important to deactivate the LCN function while sorting out the position of the channels. The "Sort" function allows you to sort the channels by different methods:

By LCN: This will sort the channels by ascending order.

By Service name: This will sort the channels in alphabetical order.

By Service ID: This will sort the channels by Service ID.

By ONID: This will sort the channels according to the ONID.

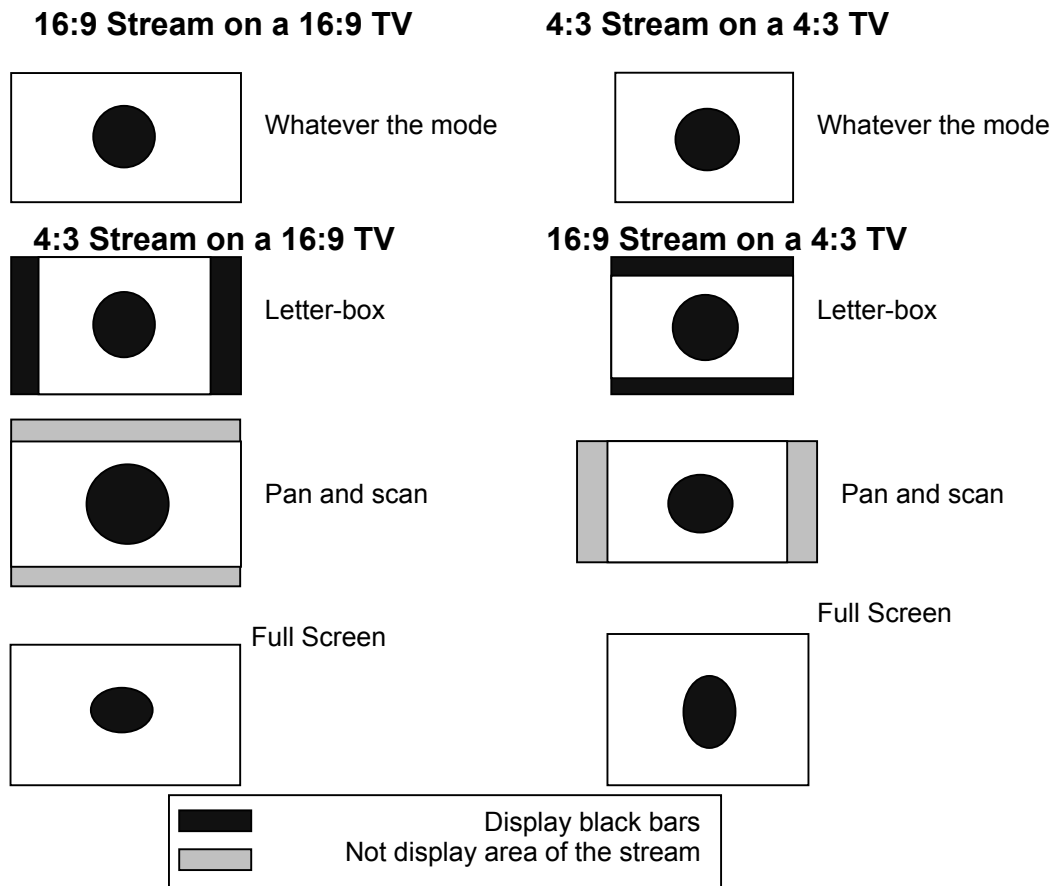
**b. Picture Settings:**

The Picture option allows you to set the different functions such as:

**Aspect ratio**

The aspect ratio of the video can be 4:3 (also know as Anamorphic Image) or 16:9 (also know as widescreen TV). Normally the aspect ratio of standard definition video should be 4:3 and the high definition video should be 16:9. In order to get excellent quality on the TV set, press the MENU key to enter the menu, and choose the aspect ratio setup menu to set a suitable aspect ratio. The screenshot of the aspect ratio window is illustrated below.

Here is a description of how the aspect ratio conversion modes are chosen for the received stream and the user's television set aspect ratios.



**Resolution:**

You can choose different resolution according to your TV: 576i, 576p, 720p, 1080i.

**TV format:** PAL/NTSC.

***c. Channel Search settings:***

- (a) **Auto Search:** This option will automatically search for TV and Radio channels and save them once the scanning is complete. All previously saved channels and settings will be deleted.
- (b) **Manual Search:** This option allows you to scan for new channels without deleting previously saved channels and settings.
- (1) Select "Manual Search" and press the "OK" or "Right" key. The Manual Channel search screen will appear.
  - (2) Press the "Right" or "Left" keys to select the channel frequency.
  - (3) Press the "OK" key to start scanning for new channels.
  - (4) If a new channel is found, it will be saved and stored along with the rest of the channels. If no channels are found, the unit will automatically exit after finishing the scanning process.

***d. Time settings:***

It allows you to set:

Time Offset: Select auto or manual for GMT offset adjustments.

Country Region: Select the Country Region when [Time Offset] is set to AUTO.

Time Zone: Select the Time Zone offset when [Time Offset] is set to MANUAL.

Power Down (Sleep): Select the desired time for the Auto-shut off function (from 1 hour to 12 hours or set it to Off).

***e. Option:***

The menu contains the following options:

OSD Language: Change the ON Screen Display language.

Subtitle language: Select the subtitle language.

Audio language: If the program has multi-languages. Set your preference here.

***f. System settings:***

The menu contains the following options:

- a) **Parental Guidance:** The options for setting up the age reference starts from 4 years to 18 years. To access this function you will require to input a code. The default password is "000000". This function can also be deactivated simply by setting it to OFF.
- b) **Set Password:** It allows you to modify the default password, which is "000000".
- c) **Restore Factory Default:** It allows you to restore the unit to its default factory settings. You will be asked to enter your password "000000". Press "OK" key once done.

**Note:** This function will delete all your saved channels and your personal settings.

- d) **Information:** You can check the software version of your unit.

***g. USB Settings:***

The USB menu has 5 options:

- (1) MULTIMEDIA:

While in TV Mode, press the "MEDIA" button to access to the Multimedia menu. The menu contains 4 different icons: Music, Photo, Movie, and DVR.

Music Playing: Select "MUSIC" icon, move the cursor to enter the path of the desired audio file. Press the OK button to play the selected audio file.

Photo Viewing: Choose PHOTO icon, and enter the path of the desired photo files. Press OK button to view the desired photo files.

Movie Playing: Choose MOVIE icon, and move the cursor to choose the path of the desired video files. Press the OK button to play the desired video files.

DVR Playing: Select DVR icon. Select the recorded file you want to play, press OK to begin playback. Press the RECALL key to move up to the next Folder. Press the RED key to switch between Preview and Full screen modes. Use the YELLOW key to delete the file you don't want. Press the GREEN key to rename the recorded file if desired.

- (2) Photo configure: You can adjust the slide time, slide mode and aspect ratio here.
- (3) Movie configure: You can set the Aspect Ratio, Subtitle Specific, Subtitle background and Subtitle Font-colour here.
- (4) DVR configure: Record Device, here you can view information of your connected USB storage device which includes Format Type, Total and Free space available on drive. You can choose the option FORMAT to format your USB compatible device in Fat 32 or NTFS formats.
- (5) The USB port is also used to perform a software Update:

**(a) COPY THE SOFTWARE UPDATE FILE FROM YOUR PC TO A USB FLASH DRIVE**

Please visit the **STRONG** website [www.strong.com.au](http://www.strong.com.au) or contact our customer service department on 1800 820 030 to obtain the latest software for updating your receiver.

1. To upgrade your unit via USB, plug the USB compatible drive to the PC and backup the entire data of the USB drive. Right click the USB drive and select Format item. Format the USB drive as FAT32 file system.

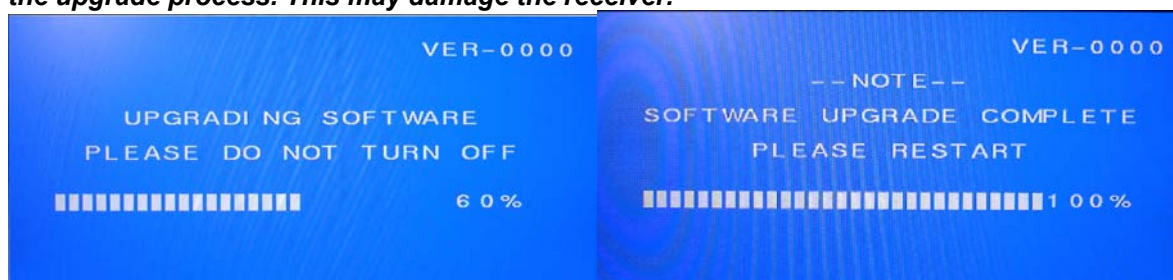
**NOTE: To perform a software upgrade of the Receiver, please ensure the USB Flash Drive or Portable hard disk is in FAT32 file system format. The USB port for software updates is not compatible with USB Flash drives or Portable Hard Disk Drives in NTFS, FAT16 or U3 PRO File System formats.**

2. Copy the update file named "**SRT5431.AP**" to the root of the USB drive. Then remove the USB drive from the PC.

**(b) UPDATE THE RECEIVER VIA THE USB PORT**

1. Plug the USB drive with the update file to the USB port of the receiver.
2. Press the Menu button and then press "666666" to begin the upgrade process. When the upgrade progress has reached 100% and the update has finished, remove the USB flash drive and power off and power on the receiver again.
3. To ensure the software upgrade has taken effect, please set the receiver to the factory default settings via the main menu once the receiver has rebooted.

**NOTE: Please do not remove the USB drive from the receiver or power off the receiver during the upgrade process. This may damage the receiver.**



## 7. Daily use

### 7.1 INFO. KEY

Press "INFO" key to display the Information banner while viewing TV programs.  
Information banner:



### 7.2 LANG KEY

Some programs may have multilingual audio language and this audio broadcast may be on a different audio mode such as Stereo, Left or Right. All the available audio languages will be displayed on the audio track window when you press the LANG key. The screenshot illustrates this below. If there is no audio output after you have selected the audio language, it indicates that there is no audio on the current audio mode, so you have to select the previous audio mode.



### 7.3 SUB KEY

Certain programs have multilingual subtitle information. All available subtitle languages will be displayed in the subtitle information window when you press the SUBTITLE key. The screenshot illustrates this below. Follow the help information in the subtitle window to select preferred subtitle.



### 7.4 PREV/NEXT KEY & F.R./F.F. KEY

The PREV/NEXT key and F.R./F.F. key can be used during playback of multimedia programs from your external USB device. Press the PREV/NEXT key to go to the previous/next program and F.R./F.F. key to fast forward or rewind during playback.

### 7.5 ZOOM

The Zoom key allows you to zoom in on pictures and video being viewed or played back. Once you have zoomed in you can use the arrow keys to move the frame to four directions.

## 7.7 EPG

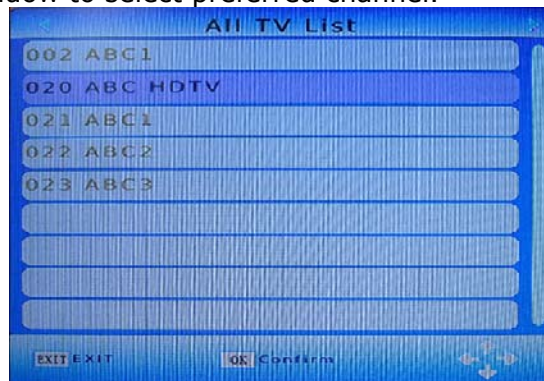
Press EPG key to display the on screen electronic program guide.

This displays a 7 Day Electronic Program Guide for all programs being broadcast from all broadcasters.



## 7.8 TV CHANNEL AND RADIO CHANNEL LIST

Press OK key to display all TV channels or all Radio channels. Follow the help information at the bottom of the window to select preferred channel.



## 7.9 FAVOURITE CHANNEL

### Setting up Favourite TV or Radio Channels:

You can add preferred channels to a favourite's channel list. Press the Menu key to access the Program Edit Menu. The Favourite channel option allows you to classify the channels by different genre: Movies/News/Sports/Music. Press the "FAV" or "OK" key to confirm your selection. A heart shaped symbol will appear next to that channel which confirms your selection.



**Disable Favourite TV or Radio Channel:**

Press the Menu key to access the Program Edit Menu. The list of the favourite channels will be displayed. Highlight the desired channel to be disabled. Press "FAV" button, select the "Disable" option and press the "FAV" or "OK" key to cancel. Press the "Exit" key to exit the menu.

**View Favourite Channel:**

While in normal viewing mode, press the "FAV" key to access to your favourite channel menu. Press the LEFT or RIGHT keys on your remote to access to the classified Sub-Menu (Movies/News/Sports/Music). Press the UP or DOWN keys to browse through your favourite channels. Press the "OK" key to select your favourite channel.

**Delete a TV or RADIO Program:**

Press the Menu key to access the Program Edit Menu. Select the program you wish to delete and press the "BLUE" key on your remote. A warning message will appear on your TV screen. Press the "OK" key to confirm the deletion of the channel. Repeat the above procedure to delete further channels.

**Skip TV or RADIO Channel:**

Press the Menu key to access the Program Edit Menu. Select the channel you would like to "Skip" and press the "GREEN" key on your remote. A skip symbol will appear. Now the channel is marked as a SKIP. To save your settings and exit the menu, press the "Exit" key.

**Move a TV or RADIO Program:**

Press the Menu key to access the Program Edit Menu. Select the desired channel you wish to move and press the "RED" key on your remote. A "MOVE" symbol will appear on your TV screen. Press the UP or DOWN keys to move the channel to the desired position. Press the "OK" key to confirm your selection. Repeat the above process to move further channels.

**WARNING:**

**To use the DVR Function, Instant recording function, TV program guide timer recording function, TIMESHIFT function, Playback recorded program function and Multimedia player function it is necessary to connect an external device such as a USB flash drive or an external hard disk drive to the USB port. The maximum capacity of HDD supported by the STB is up to a size of 500G. It supports Fat32 and NTFS file formats.**

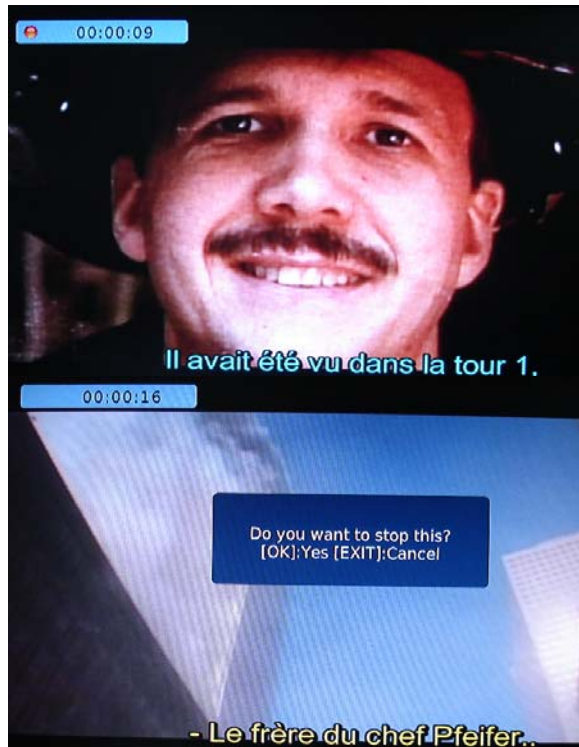
**7.10 DVR FUNCTION**

The DVR function of your receiver allows you to record and playback your favourite programs. Instant recordings, TV program Guide recordings and timer recordings are all available.

**NOTE:** To use the DVR function and TIMESHIFT function, make sure you have a USB Hard Disk Drive or a USB Flash Drive connected to the USB port of the receiver. Please note that due to buffer speed requirements some USB Flash Drives may not be compatible for use with the Timeshift function.

**1) Instant recording**

Press the REC. key to start instant recording of the TV program currently being viewed, the recording symbol would be displayed in the top left of the screen. Press the **INFO.** key to view information of the instant recording. Press the **STOP** key to stop the instant recording.



## 2) Electronic Program Guide Timer recording

MENU =>PROGRAM => EPG=>Program Guide => Planning =>Schedule =>Event Add =>Timer Recording.

You will never miss any of your favourite programs again with the Electronic Program Guide recording feature.

While in TV mode, press the “EPG” key to access the on screen Electronic Program Guide, select the channel and program you wish to record. Press the “OK” key to select the desired program to be recorded. A Schedule Event window will appear. Select and set the correct parameters to schedule the recording. Set the Mode option to “Record”. This program will be automatically recorded at the scheduled time.

You can edit the set timer recording in the Schedule Event Menu by editing the channel number, name, date, start time, and end time. Select the option of Once, Daily, Weekly or Monthly recording as desired.

Once the recording schedule setup has been set, you can at any time edit the schedule recording by pressing the “GREEN” key or delete the scheduled recording by pressing the “BLUE” key on your remote.

After having finished the Schedule Recording setup, press the “EXIT” key to save and exit.





### 3) TIMESHIFT

The TIMESHIFT function allows you to pause the TV program being viewed. Once paused the tv program is being stored on your connected USB Hard Drive or Flash Drive.

When watching a program, press the “TIMESHIFT” key on the remote control to activate the function. You can now use the F.R. (Rewind function) to go back to the point you began the TIMESHIFT function or F.F. (Fast Forward) to catch up to live viewing. If you wish to stop the TIMESHIFT function, press the “STOP” key.



A dialogue box will be displayed on screen asking you to confirm. Press “OK” to stop the TIMESHIFT and save the recorded section to your USB HDD, or Flash Drive. You can view this section later by pressing the FILE LIST key. If you select EXIT the receiver will continue to TIMESHIFT the program.

If you press the “INFO” key, you can access the TIMESHIFT information screen.

#### **WARNING:**

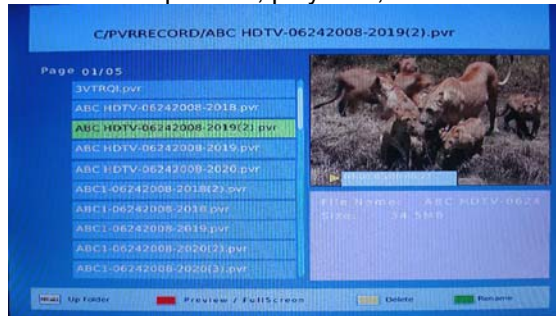
For the compatibility of HDD and USB devices with TIMESHIFT and DVR function, please refer to the table below:

	<b>TIMESHIFT</b>	<b>PVR RECORD</b>	<b>FORMAT</b>
<b>USB device</b>	doesn't work	Works	Fat32
<b>3.5inch HDD</b>	Works	Works	NTFS
<b>2.5inch HDD</b>	Works	Works	NTFS / FAT 32
<b>1.8inch HDD</b>	doesn't work	Works	NTFS / FAT 32

Please make sure that you are NOT using an USB device or a 1.8inch HD for TIMESHIFT function.

#### 4) Playback of a recorded program

Press the FILELIST key to display the recorded programs on your USB device. Follow the help information at the bottom of the screen to preview, playback, edit or delete the recorded programs.



#### 5) Multimedia player

A Multimedia player feature has also been integrated into the **SRT 5431**. Press the MEDIA key to display the multimedia player window. You can now select to view Photos, play MP3 music files and view Movie files via the multimedia player. Known supported files are outlined below. NTFS, FAT32 and FAT16 file systems are supported.

Player	Supported file
Photo	JPEG, BMP, PNG
Music	*.wma, *.mp3, *.aac
Movie	*.avi, *.mpg, *.dat, *.vob, *.mkv, *.mjpeg



#### 6) Format portable hard disk

A Format hard disk function has also been provided. Formatting a hard disk will permanently delete all the data on the hard disk. It is strongly recommended to backup all the data before formatting your hard disk drive.



## 8. TROUBLESHOOTING

The below table is a list of common problems that may occur with your receiver. If you are unable to find a solution for the problem you are having please contact the **STRONG** Technical Help Line on 1800 820 030 or emailing [tech@strong.com.au](mailto:tech@strong.com.au)

Fault	Possible Cause	Solution
Power on, but nothing displayed on screen	Unit not turned on at mains switch	Ensure power plug is plugged into wall socket and switch is on.
TV picture drops out and the unit displays "No signal"	Antenna is not properly connected or you are in a bad reception area	Talk to your local TV antenna technician about reception problems in your area and whether a new antenna would benefit you
Receiving digital TV but missing some channels	Antenna is not properly connected or you are in a bad reception area	Talk to your local TV antenna technician about reception problems in your area and whether a new antenna would benefit you
Remote is not working	Batteries are flat or there is interference	Try replacing the batteries in the remote and ensure that there is no direct sunlight on the remote or unit

## 9. SPECIFICATIONS

### Tuner

Input Connector	IEC 16902. Female
Input Frequency Range	VHF & UHF
Num of RF Inputs	1
Input impedance	75 ohm
RF output Connector	(bypass)IEC 169-2 Male
Loop through	474- <a href="#">858</a> MHz

### Demodulation

Standard	ETSI EN300 744
Guard interval Modes	1/32,1/16,1/8 Active Symbol duration
FEC Modes Rate	1/2,2/3,3/4,5/6,7/8
Carriers/Constellation	All modes supported including non hierarchical
Demodulation	COFDM(QPSK/QAM16/QAM64) 2K and 8K
Channel bandwidth	7 MHz wide channel 21-69PLL

### Video Decoder

Standard	ISO/IEC 13818-2 and ISO/IEC 14496-10
Transport stream	ISO/IEC 13818-1
Video decoding	MPEG-2 SD/HD ( <a href="#">MP@ML</a> and <a href="#">MP@HL</a> ), MPEG-4 H.264/AVC SD/HD DivX 4.X ~ 5.X JPEG,BMP,PNG, Motion JPEG AVI, VOB, MOV, MKV
Aspect ratio	4:3, 16:9

### Audio Decoder

Standard	ISO/IEC13818-3 TR1011154
Audio decoding	MPEG-1 and MPEG-2 Layer I & II, Dolby Digital Audio, WMA and HE-AAC Digital Audio
Dolby Digital (AC-3)	Stereo down-mixing to analog and digital audio outputs (including HDMI). For digital outputs, L-PCM stereo encoding is provided
Sample rate	32 kHz, 22.1 kHz, 44.1KHz,48 kHz

### Subtitles

Subtitle	DVB Subtitle
----------	--------------

### Accessories

Remote control unit	IR (36kHz) RC3 / other on request (38kHz)NEC
Batteries	2 x AA R6 type
User Manual	1 pcs

### Power

AC input range	AC 90V ~ 240V 50/60Hz
Power consumption	< 8W
Standby consumption	< 1W
Unit dimension	220X142X40mm
Weight	0.65 kgs



**STRONG Australia PTY LTD.**  
60 WEDGEWOOD ROAD, HALLAM, VICTORIA 3803  
PH: +61 3 8795 7990 FAX: +61 3 8795 7991

**TECHNICAL SUPPORT: 1800 820 030**

**STRONG & CO. (FAR EAST), LTD.**  
P.O. BOX 85, YOKOHAMA, KANAGAWA-KEN  
JAPAN 231-91 FAX: +81 45 651 1842

**[www.strong.com.au](http://www.strong.com.au)**  
**[tech@strong.com.au](mailto:tech@strong.com.au)**

©Strong Technologies Pty Ltd., 2011